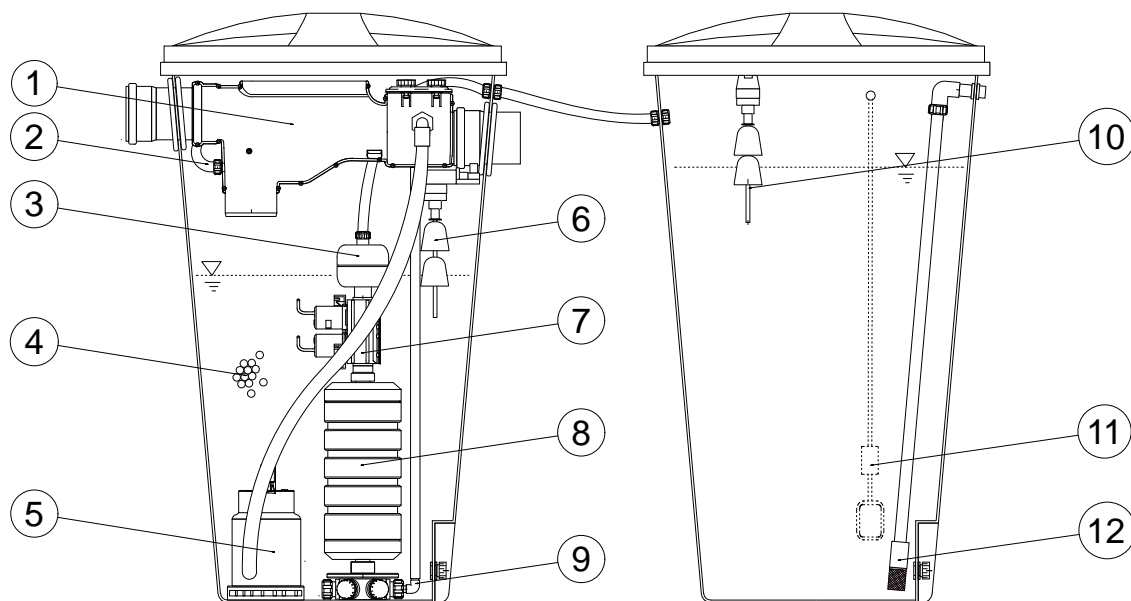


### Connections

1. Backflush nozzle
2. Greywater inlet
3. 230V-SLUDGE
4. Pump Suction
5. Pump Backflush
6. 230V-AIR
7. Filtrate transfer
8. Overflow
9. Float-Sw BR min
10. Float-Sw CL max
11. RAINMASTER floating switch
12. Suction filter outlet
13. Overflow



1. PURAIN prefilter
2. PURAIN backflush nozzle
3. Vertical floating switch, minimum
4. Growth carriers
5. Sludge pump
6. Backwash tank
7. Backwash and filter pumps
8. AQUALOOP ultrafiltration cartridge
9. Blower aeration connection
10. Vertical floating switch, maximum
11. Floating switch, incl. with RAINMASTER
12. Suction filter

\*Incl. but not shown: AQUALOOP Controller and Blower

*Product:* **AQUALOOP** greywater recycling system  
200 L/day

**INTEWA GmbH**

*Product Name:* AL-GW200 System  
*Product code:* 230205