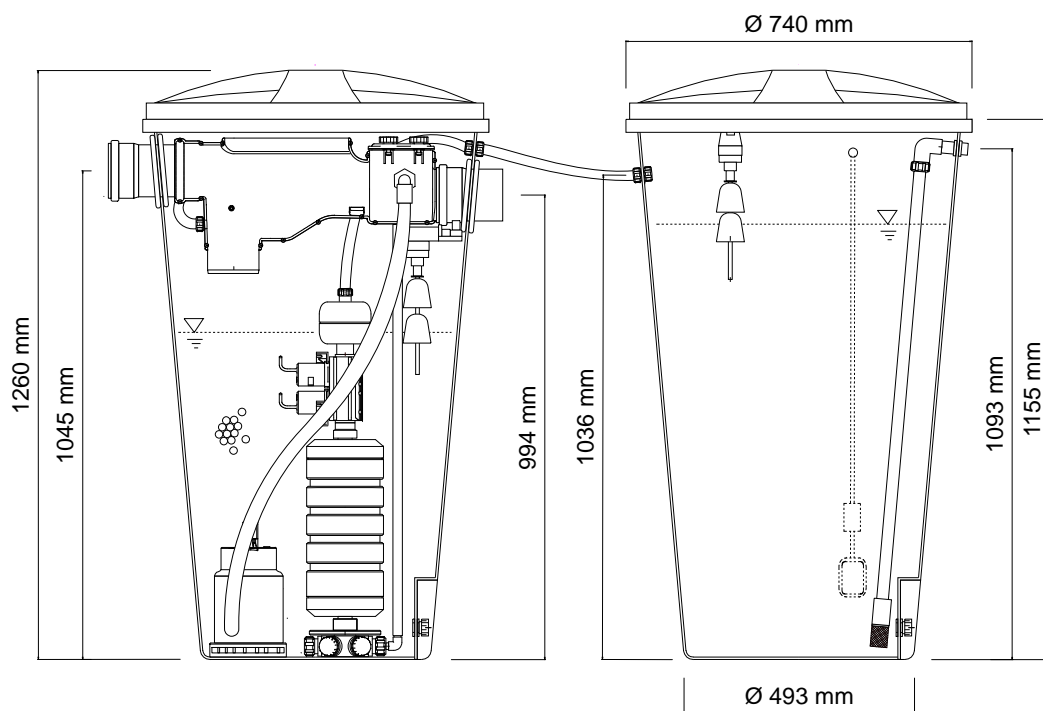


Connections

- a. DN100
- b. PG11
- c. 3/4" OD
- d. 1" OD
- e. DN50



*Incl. but not shown: AQUALOOP Controller and Blower

Product: **AQUALOOP** greywater recycling system
200 L/day

INTEWA GmbH

Product Name: AL-GW200 System
Product code: 230205