



ENGINEERED™
SOLUTIONS
A division of Morris/Lee, Ltd.™

321 Cityview Blvd
Unit #4
Vaughan, Ontario
L4H 3M3
905.832.0909

Job:

Engineer:



www.EngineeredSolutionsCan.com
Order@EngineeredSolutionsCan.com
www.rain-water.Solutions

Model 8 Basket Strainer and Bag Filters

Dimensions (IN)

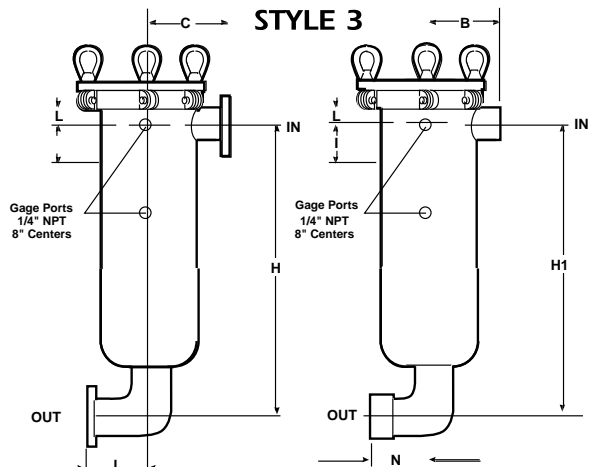
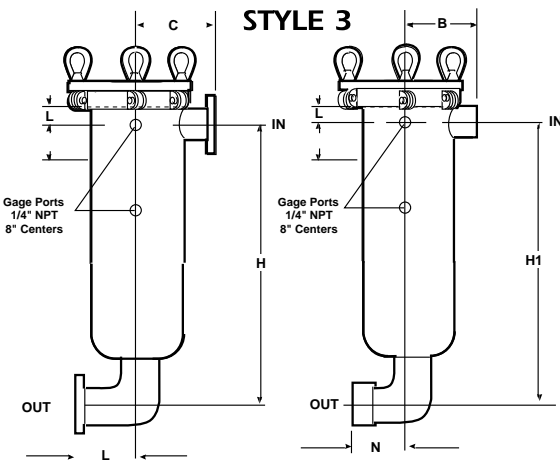
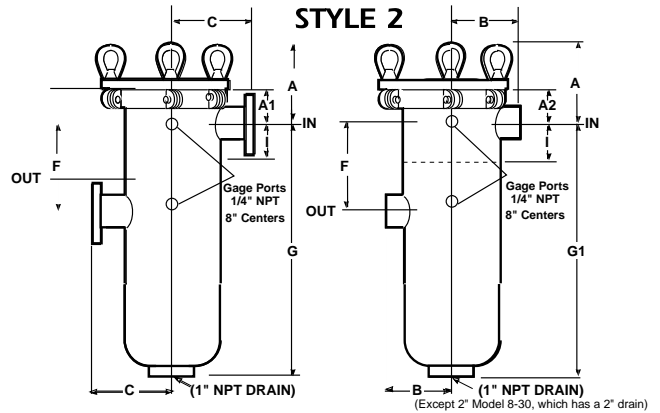
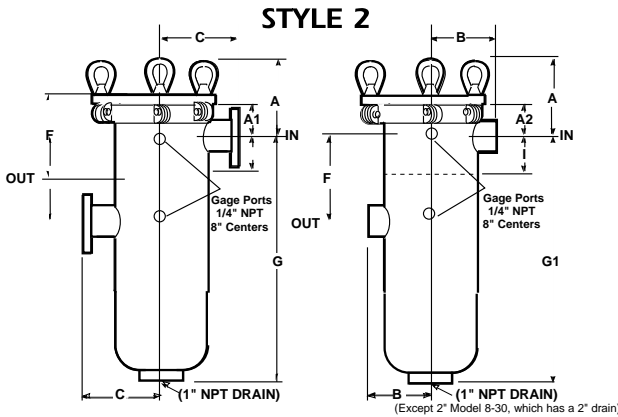
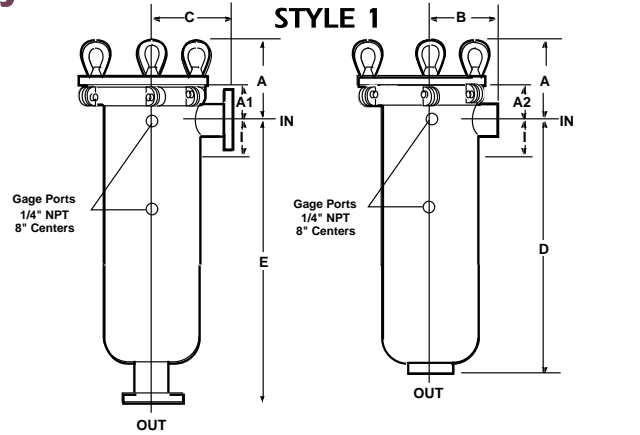
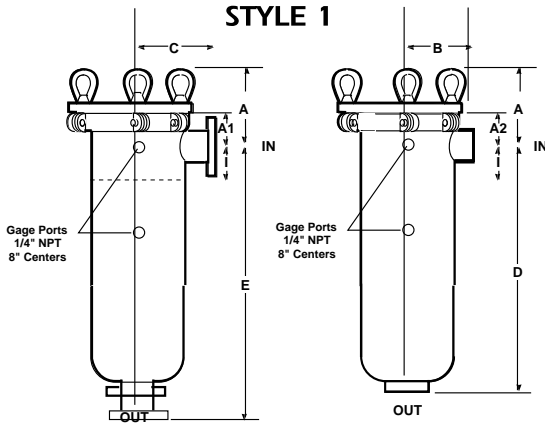
Outlet Styles

Flanged
(150 lb. ANSI)

Threaded
(NPT)

Flanged
(300 lb. ANSI)

Threaded
(NPT)



SIZE:
SCALE:
DATE:
APPROVED BY:
CHECKED BY:
DRAWN BY:

WE CAN ASSUME NO RESPONSIBILITY FOR USE OF SUPERSEDED OR VOID DATA
DIMENSIONS ARE SUBJECT TO MANUFACTURERS TOLERANCE AND CHANGE WITHOUT NOTICE

FIGURE NUMBER	REV.	DATE	DESCRIPTION	BY	CKD. BY	WEIGHT POUNDS	VOLUME CUBIC FEET	FIGURE NUMBER