



SPECIFICATION

Self Cleaning Back-Washable Water Filters / Strainers
For Cold Water Applications:
3/4" (20 mm) - 1" (25 mm) - 1 1/4" (32 mm)

JUDO Water Treatment Inc.
Toronto, Ontario, Canada
Tel: 866 - 451 - 5836 (toll-free)
Fax: 877 - 761 - 3335 (toll-free)
e-mail: info@judo-online.com
judo-online.com

JUDO Wasseraufbereitung GmbH
Postfach 380
D-71351 Winnenden
Tel: 01149 - 7195 - 692 - 212
Fax: 01149 - 7195 - 692 - 110

JUDO quality
management

We are certified according
ISO 9001:2000



SERIES:

PROFI	Model: JPF	Manual Backwash Operation
PROFIMAT	Model: JPF-A/T	Automatic Time Actuated Backwash Operation
PROFIMAT	Model: JPF-A/TP	Automatic Time and Pressure Differential Actuated Backwash Operation

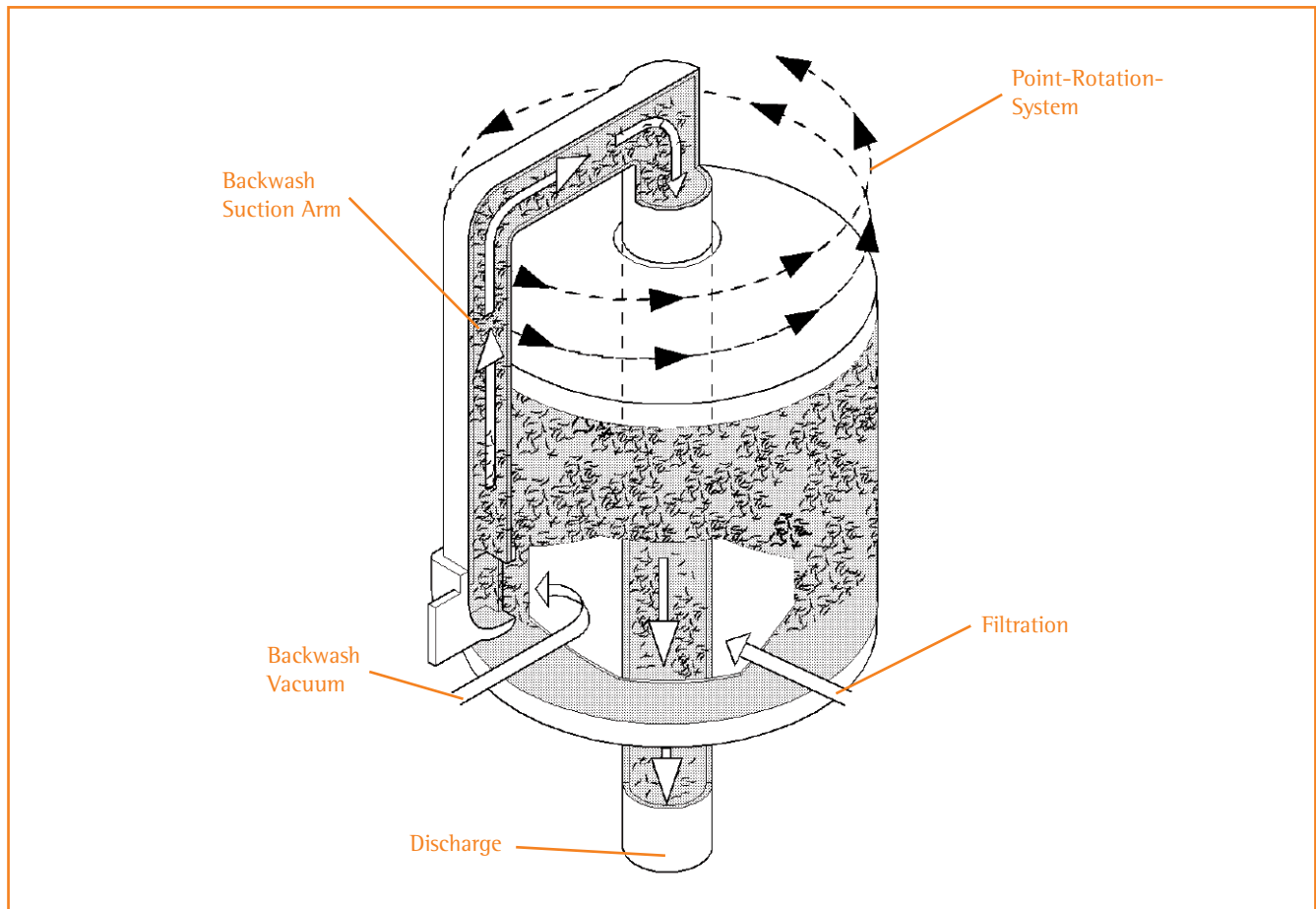
INTRODUCTION:

For COLD water applications up to a maximum water temperature of 36C (97F) and up to a maximum water pressure of 150 PSI (1034 kPa).

FUNCTION:

For the filtration / removal of all coarse and fine-grained physical impurities / particulate in the water supply, which are larger than or equal to in size, to the filter sieve pore size.

Backwashing by way of a patented point rotation system without any interruption of the water supply or filtration process.



point rotation system



SPECIFICATION

**Self Cleaning Back-Washable Water Filters / Strainers
For Cold Water Applications:
3/4" (20 mm) - 1" (25 mm) - 1 1/4" (32 mm)**

JUDO Water Treatment Inc.
Toronto, Ontario, Canada
Tel: 866 - 451 - 5836 (toll-free)
Fax: 877 - 761 - 3335 (toll-free)
e-mail: info@judo-online.com
judo-online.com

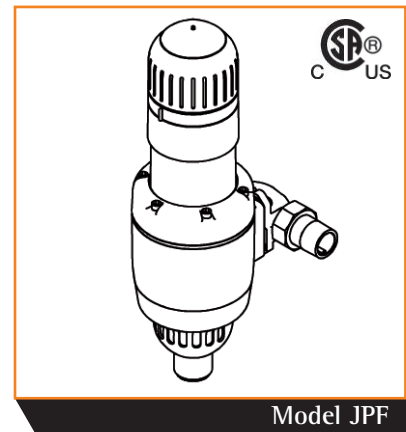
JUDO Wasseraufbereitung GmbH
Postfach 380
D-71351 Winnenden
Tel: 01149 - 7195 - 692 - 212
Fax: 01149 - 7195 - 692 - 110

**JUDO quality
management**
We are certified according
ISO 9001:2000



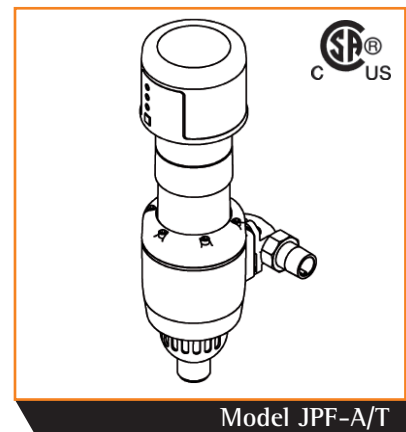
SPECIFICATION:

PROFI - Model JPF _____ (SPECIFY SIZE) backwash filter with housing made of high-grade polymer based materials, including a quick-mounting device for easy installation in both horizontal and vertical flow direction. Equipped with a clear sight-glass, which allows you to view the filtration, soiling and backwash functions. Filtration through a stainless steel filter sieve size of 100 microns. Manual backwash by rotating top hand wheel. Backwash process using a patented point-rotation-system without any interruption of the water supply or filtration process. Simultaneous cleaning of the sight-glass during the backwash process. Battery powered (AAA x 2) audio backwash reminder alarm (set to 30 day intervals). Threaded connection to ANSI B1.20.1.
For Optional Sieve Size _____ (SPECIFY SIZE)



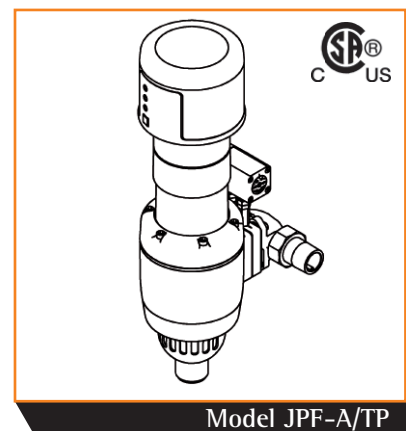
Model JPF

PROFIMAT - Model JPF-A/T _____ (SPECIFY SIZE) As above except with - Automatic backwash, generated by a time actuated relay, with the following available settings: hourly / daily / weekly / monthly and a manual over-ride button. Backwash process using a patented point-rotation-system without any interruption of the water supply or filtration process. Simultaneous cleaning of the sight-glass during the backwash process. Electronic control system with LED display indicators for operation, alarm fault buzzer and manual over-ride button for backwash start-up. 120/24 VAC **plug-in transformer (21 VA), 3 prong duplex box outlet with GFI required.** Run backwash flushing drain connection to nearest hub drain using an indirect connection. Threaded connection to ANSI B1.20.1.
For Optional Sieve Size _____ (SPECIFY SIZE)



Model JPF-A/T

PROFIMAT - Model JPF-A/TP _____ (SPECIFY SIZE) As above except with - Automatic backwash, generated by a time actuated relay, with the following available settings: hourly / daily / weekly / monthly and a differential pressure control setting adjustable from 1-10 PSI differential. Backwash process using a patented point-rotation-system without any interruption of the water supply or filtration process. Simultaneous cleaning of the sight-glass during the backwash process. Electronic control system with LED display indicators for operation, alarm fault buzzer and manual over-ride button for backwash start-up. 120/24 VAC **plug-in transformer (21 VA), 3 prong duplex box outlet with GFI required.** Run backwash flushing drain connection to nearest hub drain using an indirect connection. Threaded connection to ANSI B1.20.1. Filter is equipped with 2 (two) potential-free output dry contact remote transmissions for building automation system. Maximum load current 1A; Maximum switching voltage 24V.
For Optional Sieve Size _____ (SPECIFY SIZE)



Model JPF-A/TP



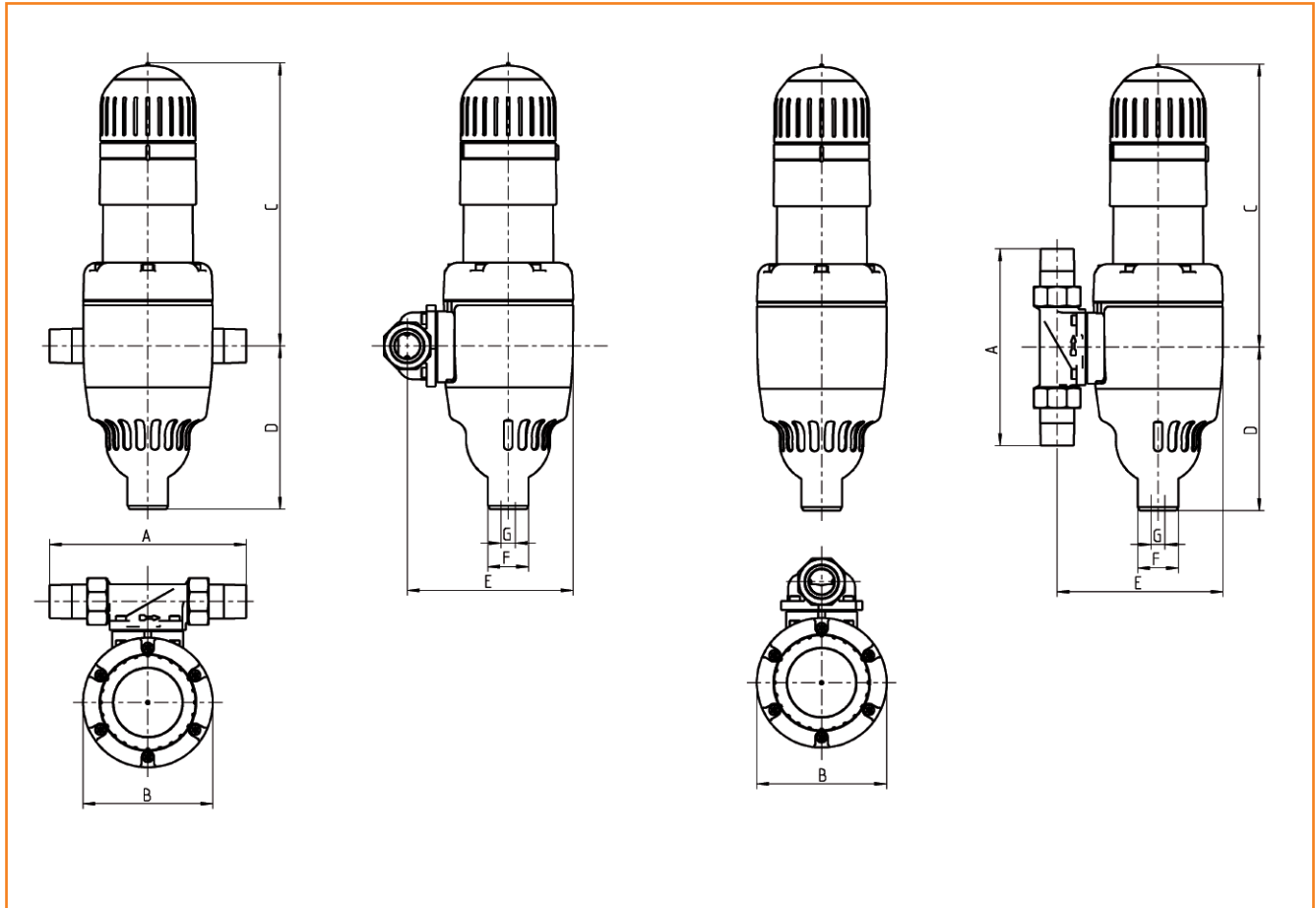
SPECIFICATION

Self Cleaning Back-Washable Water Filters / Strainers
For Cold Water Applications:
3/4" (20 mm) - 1" (25 mm) - 1 1/4" (32 mm)

JUDO Water Treatment Inc.
Toronto, Ontario, Canada
Tel: 866 - 451 - 5836 (toll-free)
Fax: 877 - 761 - 3335 (toll-free)
e-mail: info@judo-online.com
judo-online.com

JUDO Wasseraufbereitung GmbH
Postfach 380
D-71351 Winnenden
Tel: 01149 - 7195 - 692 - 212
Fax: 01149 - 7195 - 692 - 110

JUDO quality management
We are certified according
ISO 9001:2000



dimensions of JPF

Model	A	B	C	D	E	F	G
JPF 3/4"	7 (180)	5 1/4 (130)	11 (280)	6 1/2 (165)	6 1/2 (85)	1 3/4 (40)	1/2 (11)
JPF 1"	7 1/2 (195)	5 1/4 (130)	11 (280)	6 1/2 (165)	6 1/2 (165)	1 3/4 (40)	1/2 (11)
JPF 1 1/4"	9 (230)	5 1/4 (130)	11 (280)	6 1/2 (165)	6 3/4 (170)	1 3/4 (40)	1/2 (11)

All dimensions in Inches (mm)

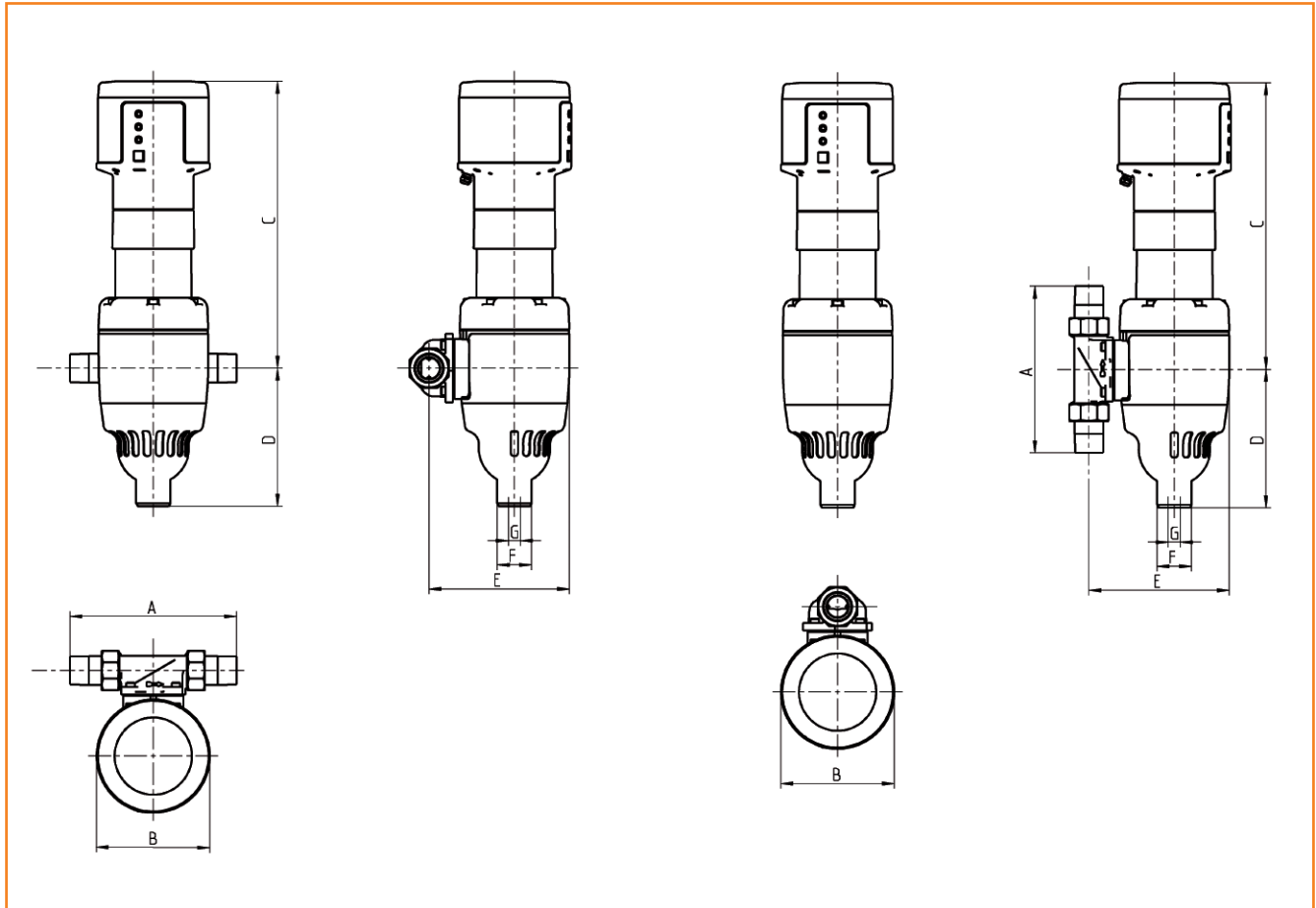
A = Installation length
B = Unit width
C = Height above pipe centre
D = Height below pipe centre
E = Depth to pipe centre



SPECIFICATION

Self Cleaning Back-Washable Water Filters / Strainers
For Cold Water Applications:

3/4" (20 mm) - 1" (25 mm) - 1 1/4" (32 mm)



dimensions of JPF-A/T

Model	A	B	C	D	E	F	G
JPF-A/T 3/4"	7 (180)	5 1/4 (130)	11 (280)	6 1/2 (165)	6 1/2 (85)	1 3/4 (40)	1/2 (11)
JPF-A/T 1"	7 1/2 (195)	5 1/4 (130)	11 (280)	6 1/2 (165)	6 1/2 (165)	1 3/4 (40)	1/2 (11)
JPF-A/T 1 1/4"	9 (230)	5 1/4 (130)	11 (280)	6 1/2 (165)	6 3/4 (170)	1 3/4 (40)	1/2 (11)

All dimensions in Inches (mm)

A = Installation length
B = Unit width
C = Height above pipe centre
D = Height below pipe centre
E = Depth to pipe centre



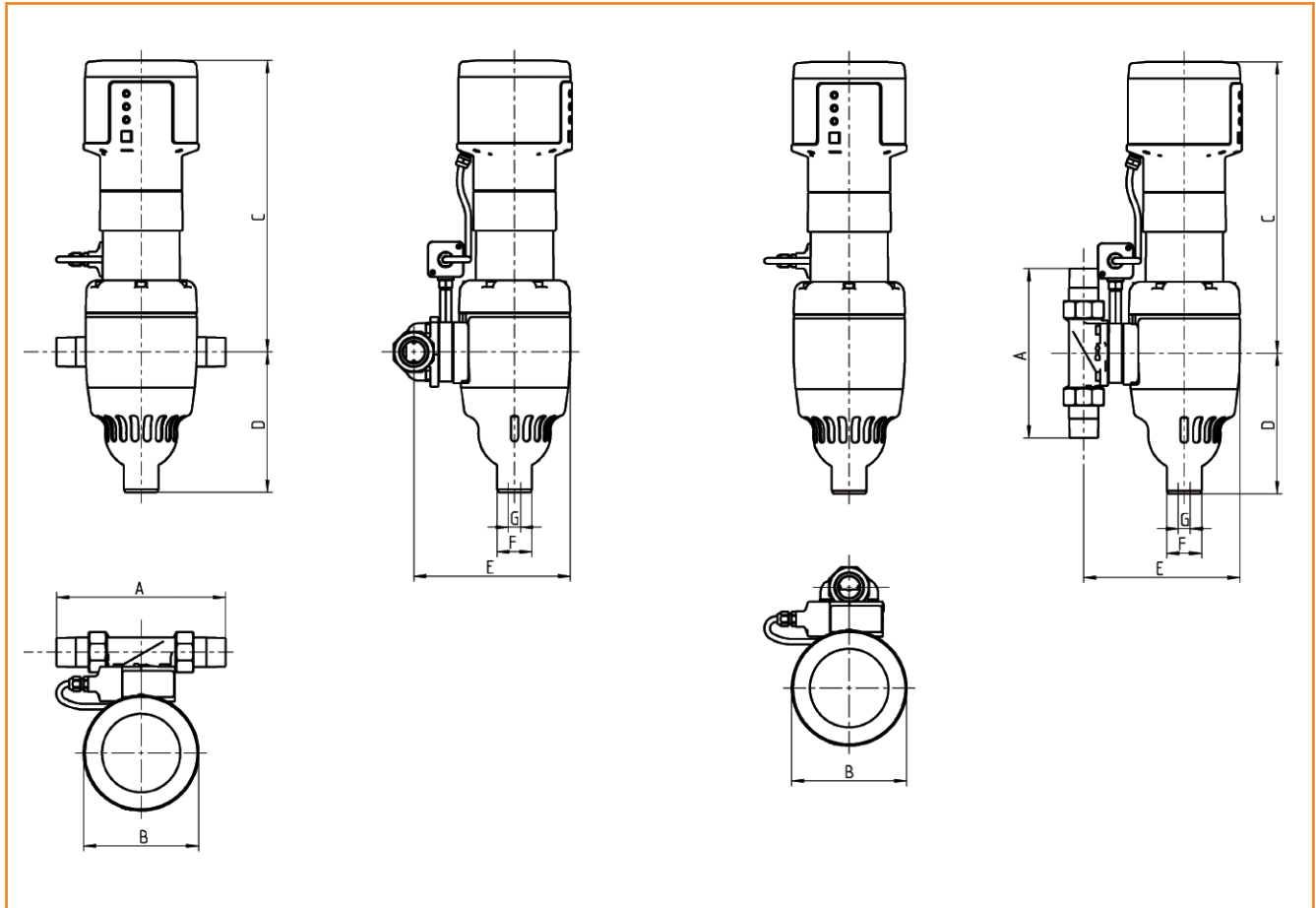
SPECIFICATION

Self Cleaning Back-Washable Water Filters / Strainers
For Cold Water Applications:
3/4" (20 mm) - 1" (25 mm) - 1 1/4" (32 mm)

JUDO Water Treatment Inc.
Toronto, Ontario, Canada
Tel: 866 - 451 - 5836 (toll-free)
Fax: 877 - 761 - 3335 (toll-free)
e-mail: info@judo-online.com
judo-online.com

JUDO Wasseraufbereitung GmbH
Postfach 380
D-71351 Winnenden
Tel: 01149 - 7195 - 692 - 212
Fax: 01149 - 7195 - 692 - 110

JUDO quality management
We are certified according
ISO 9001:2000



dimensions of JPF-A/TP

Model	A	B	C	D	E	F	G
JPF-A/TP 3/4"	7 (180)	5 1/4 (130)	11 (280)	6 1/2 (165)	6 1/2 (85)	1 3/4 (40)	1/2 (11)
JPF-A/TP 1"	7 1/2 (195)	5 1/4 (130)	11 (280)	6 1/2 (165)	6 1/2 (165)	1 3/4 (40)	1/2 (11)
JPF-A/TP 1 1/4"	9 (230)	5 1/4 (130)	11 (280)	6 1/2 (165)	6 3/4 (170)	1 3/4 (40)	1/2 (11)

All dimensions in Inches (mm)

A = Installation length
B = Unit width
C = Height above pipe centre
D = Height below pipe centre
E = Depth to pipe centre



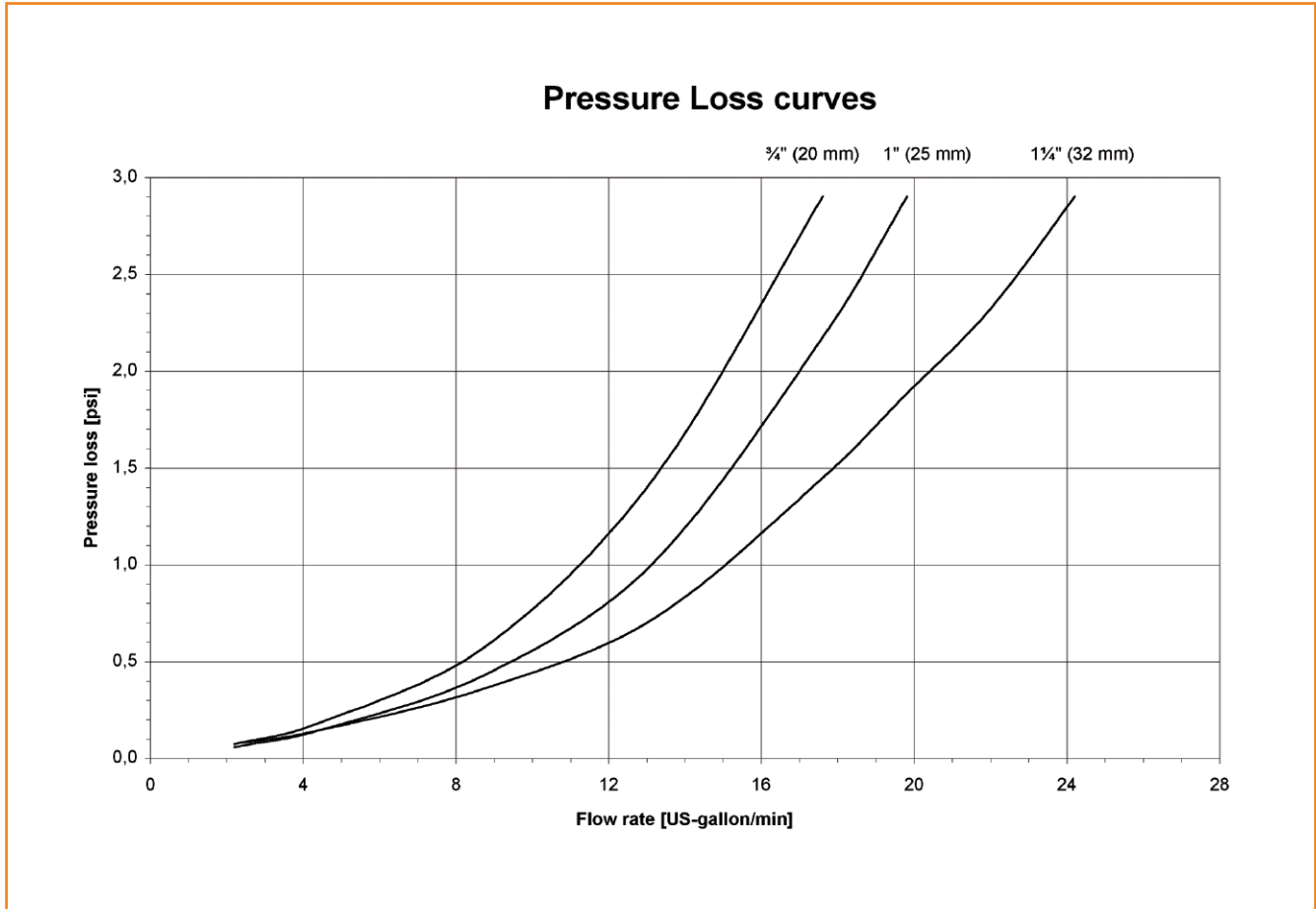
SPECIFICATION

Self Cleaning Back-Washable Water Filters / Strainers
For Cold Water Applications:
3/4" (20 mm) - 1" (25 mm) - 1 1/4" (32 mm)

JUDO Water Treatment Inc.
Toronto, Ontario, Canada
Tel: 866 - 451 - 5836 (toll-free)
Fax: 877 - 761 - 3335 (toll-free)
e-mail: info@judo-online.com
judo-online.com

JUDO Wasseraufbereitung GmbH
Postfach 380
D-71351 Winnenden
Tel: 01149 - 7195 - 692 - 212
Fax: 01149 - 7195 - 692 - 110

JUDO quality
management
We are certified according
ISO 9001:2000



pressure loss curves of JPF

SIZE	FLOW RATE		PRESSURE LOSS	MAX. FLOW PRESSURE		MAX. TEMPERATURE		STANDARD 1 SIEVE SIZE		WEIGHT	ORDER No. manual	ORDER No. automatic	ORDER No. automatic
	gpm	m ³ /h		psi	kPa	°F	°C	mm	Inch				
3/4" (20 mm)	17.5	4	2.9	150	1034	97	36	0.1	0.004	6	8010110	8020218	8020220
1" (25 mm)	20	4.5	2.9	150	1034	97	36	0.1	0.004	6	8010111	8020219	8020221
1 1/4" (32 mm)	24	5.5	2.9	150	1034	97	36	0.1	0.004	6	8010135	8020268	8020273

1. FILTER SIEVES ALSO AVAILABLE IN SIZES 0.03 / 0.32 / 0.5 mm
N.B. UNLESS OPTIONAL SIEVE SIZE IS INDICATED WHEN ORDERING, THE STANDARD SIEVE SIZE WILL BE SUPPLIED.

Backwash volume 3 - 6 1/2 gpm (0.2 - 0.4 l/s) 2 minutes approx. @ 50 - 65 psi pressure