



SPECIFICATION

Self Cleaning Back-Washable Water Filters / Strainers
For Cold Water Applications:
2 1/2" (65 mm) - 3" (80 mm) - 4" (100 mm)

JUDO Water Treatment Inc.
Toronto, Ontario, Canada
Tel: 866 - 451 - 5836 (toll-free)
Fax: 877 - 761 - 3335 (toll-free)
e-mail: info@judo-online.com
judo-online.com

JUDO Wasseraufbereitung GmbH
Postfach 380
D-71351 Winnenden
Tel: 01149 - 7195 - 692 - 212
Fax: 01149 - 7195 - 692 - 110

JUDO quality
management

We are certified according
ISO 9001:2000



SERIES:

PROFI	Model: JPF	Manual Backwash Operation
PROFIMAT	Model: JPF-A/T	Automatic Time Actuated Backwash Operation
PROFIMAT	Model: JPF-A/TP	Automatic Time and Pressure Differential Actuated Backwash Operation

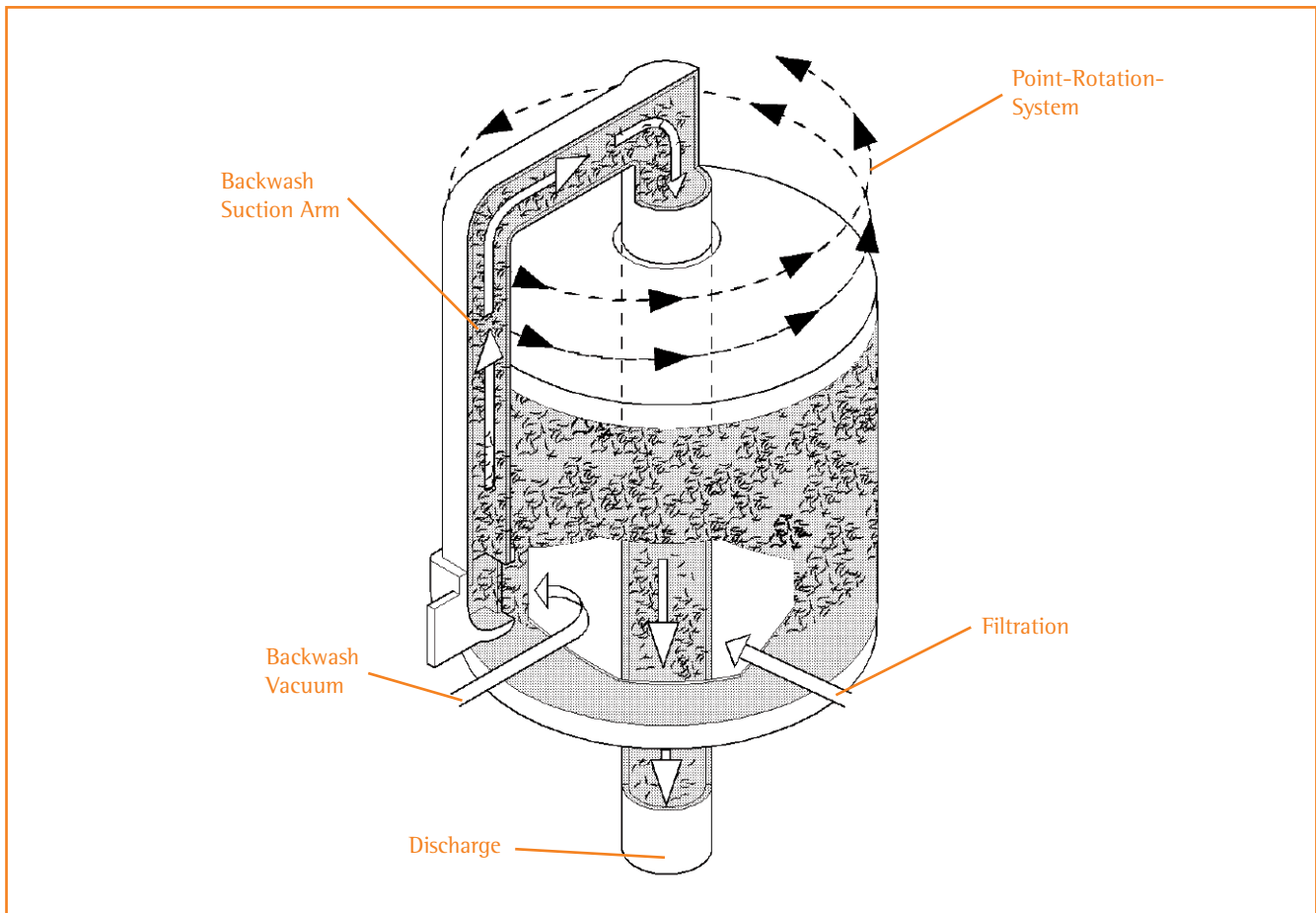
INTRODUCTION:

For COLD water applications up to a maximum water temperature of 36C (97F) and up to a maximum water pressure of 150 PSI (1034 kPa).

FUNCTION:

For the filtration / removal of all coarse and fine-grained physical impurities / particulate in the water supply, which are larger than or equal to in size, to the filter sieve pore size.

Backwashing by way of a patented point rotation system without any interruption of the water supply or filtration process.



point rotation system



JUDO Water Treatment Inc.
 Toronto, Ontario, Canada
 Tel: 866 - 451 - 5836 (toll-free)
 Fax: 877 - 761 - 3335 (toll-free)
 e-mail: info@judo-online.com
 judo-online.com

JUDO Wasseraufbereitung GmbH
 Postfach 380
 D-71351 Winnenden
 Tel: 01149 - 7195 - 692 - 212
 Fax: 01149 - 7195 - 692 - 110

JUDO quality
 management
 We are certified according
 ISO 9001:2000

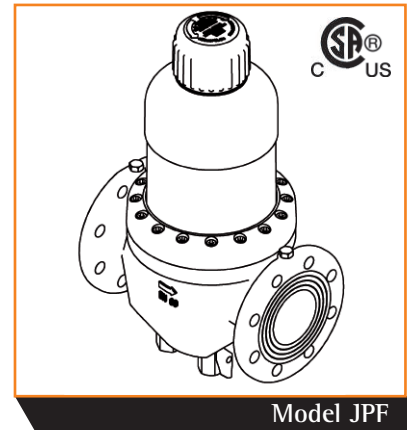


SPECIFICATION

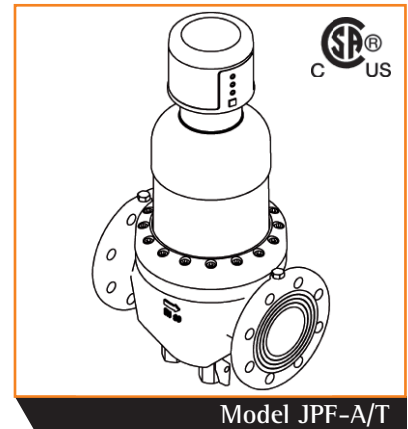
Self Cleaning Back-Washable Water Filters / Strainers
 For Cold Water Applications:
 2 1/2" (65 mm) - 3" (80 mm) - 4" (100 mm)

SPECIFICATION:

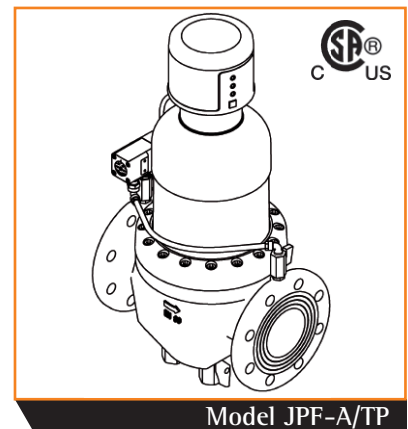
PROFI - Model JPF _____ (SPECIFY SIZE) backwash filter with upper housing made of high-grade polymer-based materials and bottom housing made of high-grade cast-iron coated with rilsan. Equipped with a clear sight-glass, which allows you to view the filtration, soiling and backwash functions. Filtration through a stainless steel filter sieve size of 100 microns. Manual backwash by rotating top hand wheel. Backwash process using a patented point-rotation-system without any interruption of the water supply or filtration process. Simultaneous cleaning of the sight-glass during the back-wash process. Horizontal pipe installation. Flanged connections to ASME B16.1.
 For Optional Sieve Size (SPECIFY SIZE) _____



PROFIMAT - Model JPF-A/T _____ (SPECIFY SIZE) As above except with - Automatic backwash, generated by a time actuated relay, with the following available settings: hourly / daily / weekly / monthly and a manual over-ride button. Backwash process using a patented point-rotation-system without any interruption of the water supply or filtration process. Simultaneous cleaning of the sight-glass during the back-wash process. Electronic control system with LED display indicators for operation, alarm fault buzzer and manual over-ride button for backwash start-up. 120/24 VAC plug-in transformer (21 VA), 3 prong duplex box outlet with GFI required. Run backwash flushing drain connection to nearest hub drain using an indirect connection. Horizontal pipe installation. Flanged connections to ASME B16.1.
 For Optional Sieve Size (SPECIFY SIZE) _____



PROFIMAT - Model JPF-A/TP _____ (SPECIFY SIZE) As above except with - Automatic backwash, generated by a time actuated relay, with the following available settings: hourly / daily / weekly / monthly and a differential pressure control setting adjustable from 1-10 PSI differential. Backwash process using a patented point-rotation-system without any interruption of the water supply or filtration process. Simultaneous cleaning of the sight-glass during the backwash process. Electronic control system with LED display indicators for operation, alarm fault buzzer and manual over-ride button for backwash start-up. 120/24 VAC plug-in transformer (21 VA), 3 prong duplex box outlet with GFI required. Run backwash flushing drain connection to nearest hub drain using an indirect connection. Horizontal pipe installation. Flanged connections to ASME B16.1. Filter is equipped with 2 (two) potential-free output dry contact remote transmissions for building automation system; Maximum load current 1A; Maximum switching voltage 24V.
 For Optional Sieve Size (SPECIFY SIZE) _____





JUDO® Water Treatment

JUDO Water Treatment Inc.
Toronto, Ontario, Canada
Tel: 866 - 451 - 5836 (toll-free)
Fax: 877 - 761 - 3335 (toll-free)
e-mail: info@judo-online.com
judo-online.com

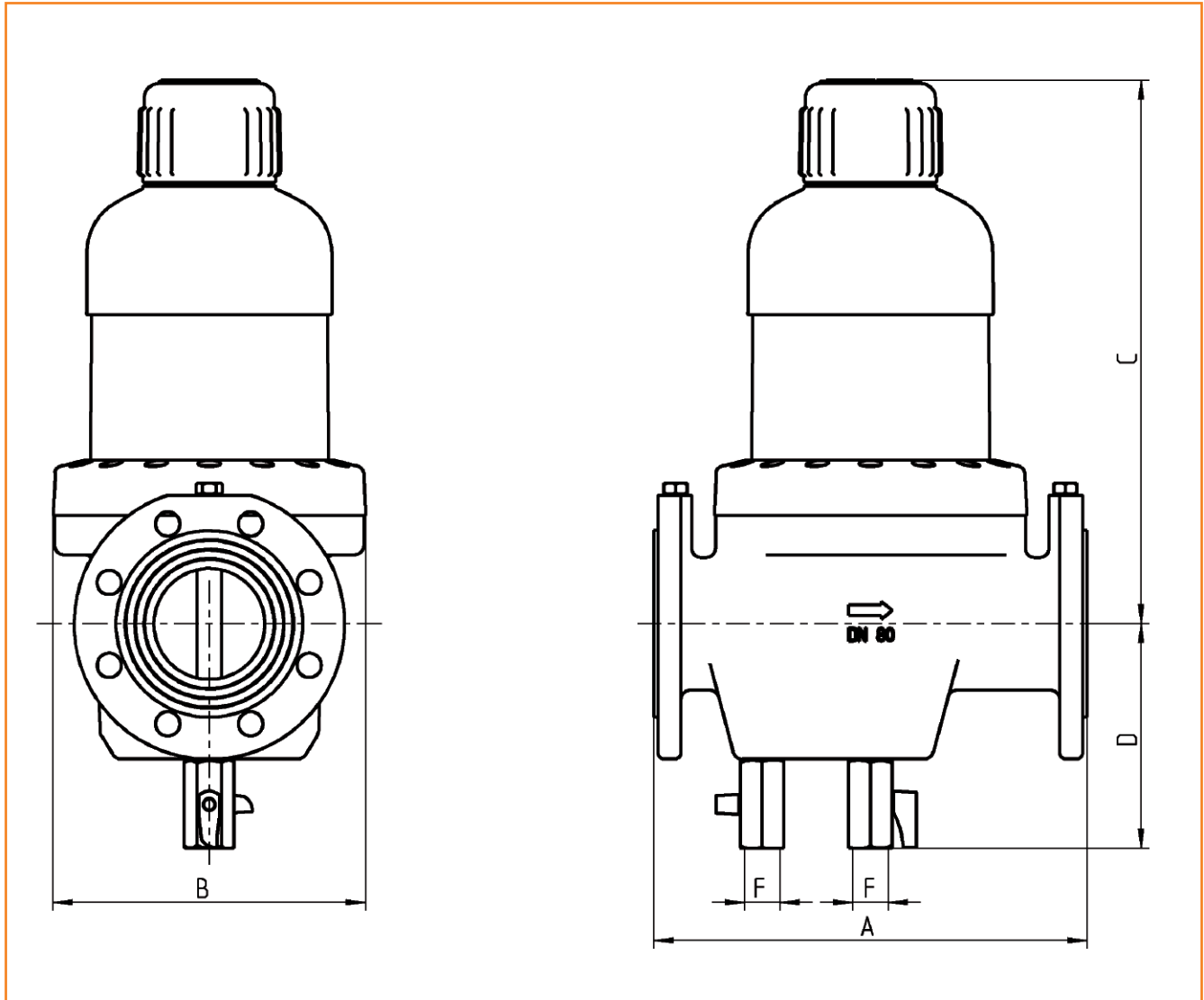
JUDO Wasseraufbereitung GmbH
Postfach 380
D-71351 Winnenden
Tel: 01149 - 7195 - 692 - 212
Fax: 01149 - 7195 - 692 - 110

JUDO quality
management
We are certified according
ISO 9001:2000



SPECIFICATION

Self Cleaning Back-Washable Water Filters / Strainers
For Cold Water Applications:
2 1/2" (65 mm) - 3" (80 mm) - 4" (100 mm)



dimensions of JPF

Model	A	B	C	D	F
JPF 2 1/2"	9 1/2 (240)	7 1/2 (185)	13 1/4 (332)	6 1/2 (159)	3/4 (19)
JPF 3"	12 3/4 (320)	9 1/4 (232)	16 (402)	6 3/4 (166)	3/4 (19)
JPF 4"	12 3/4 (320)	9 1/4 (232)	16 1/4 (412)	7 (176)	3/4 (19)

All dimensions in Inches (mm)

A = Installation length
B = Unit width
C = Height above pipe centre
D = Height below pipe centre



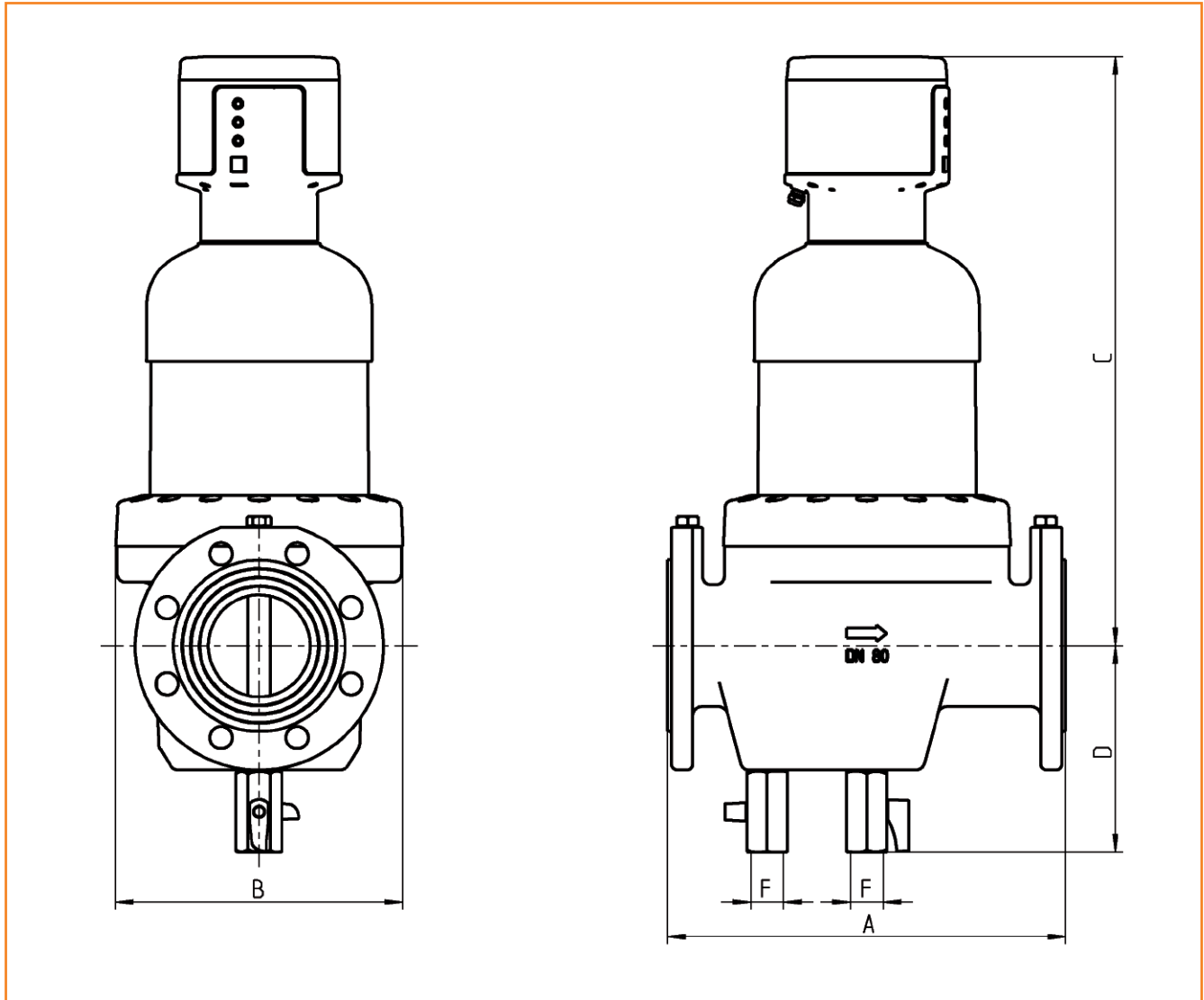
SPECIFICATION

Self Cleaning Back-Washable Water Filters / Strainers
For Cold Water Applications:
2 1/2" (65 mm) - 3" (80 mm) - 4" (100 mm)

JUDO Water Treatment Inc.
Toronto, Ontario, Canada
Tel: 866 - 451 - 5836 (toll-free)
Fax: 877 - 761 - 3335 (toll-free)
e-mail: info@judo-online.com
judo-online.com

JUDO Wasseraufbereitung GmbH
Postfach 380
D-71351 Winnenden
Tel: 01149 - 7195 - 692 - 212
Fax: 01149 - 7195 - 692 - 110

JUDO quality management
We are certified according
ISO 9001:2000



dimensions of JPF-A/T

Model	A	B	C	D	F
JPF-A/T 2 1/2"	9 1/2 (240)	7 1/2 (185)	16 (405)	6 1/2 (159)	3/4 (19)
JPF-A/T 3"	12 3/4 (320)	9 1/4 (232)	18 3/4 (475)	6 3/4 (166)	3/4 (19)
JPF-A/T 4"	12 3/4 (320)	9 1/4 (232)	19 1/4 (485)	7 (176)	3/4 (19)

All dimensions in Inches (mm)

A = Installation length
B = Unit width
C = Height above pipe centre
D = Height below pipe centre



JUDO® Water Treatment

JUDO Water Treatment Inc.
Toronto, Ontario, Canada
Tel: 866 - 451 - 5836 (toll-free)
Fax: 877 - 761 - 3335 (toll-free)
e-mail: info@judo-online.com
judo-online.com

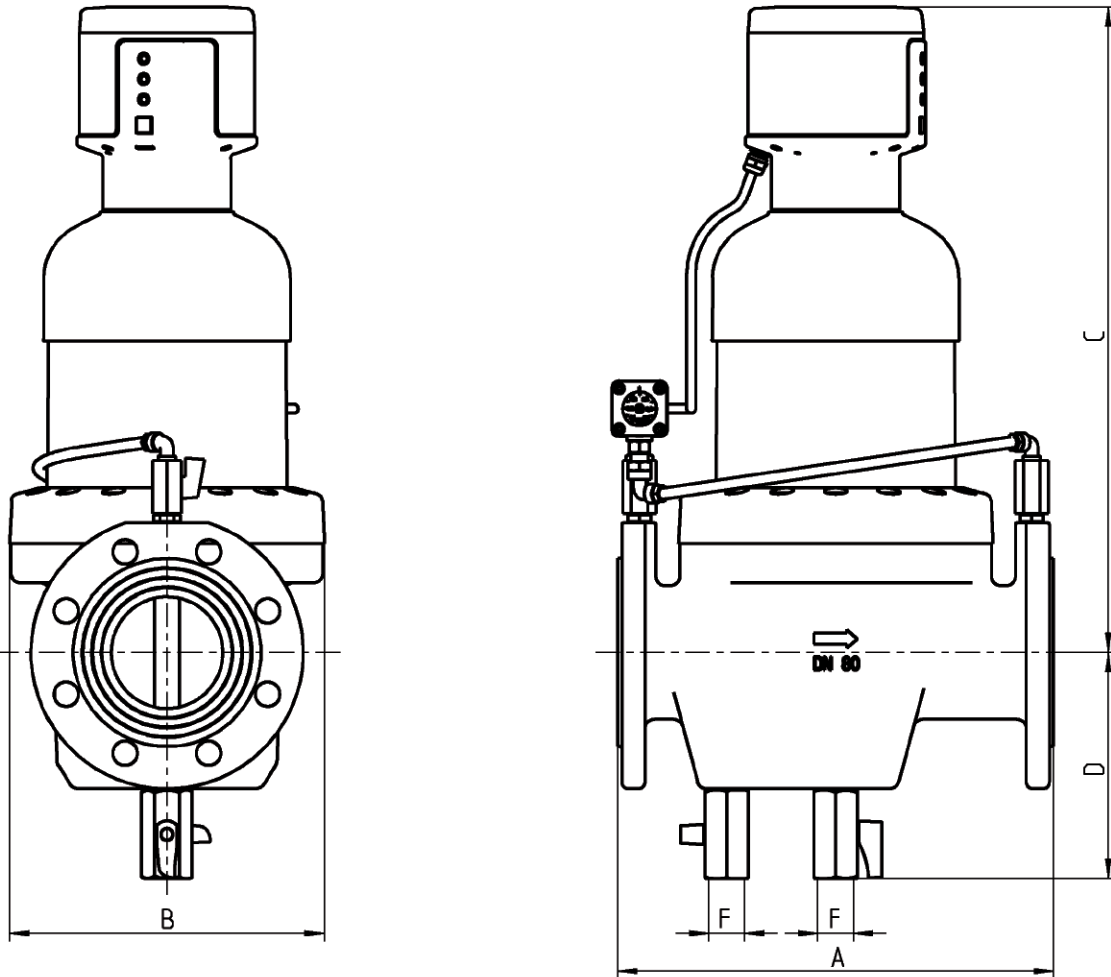
JUDO Wasseraufbereitung GmbH
Postfach 380
D-71351 Winnenden
Tel: 01149 - 7195 - 692 - 212
Fax: 01149 - 7195 - 692 - 110

JUDO quality management
We are certified according
ISO 9001:2000



SPECIFICATION

Self Cleaning Back-Washable Water Filters / Strainers
For Cold Water Applications:
2 1/2" (65 mm) - 3" (80 mm) - 4" (100 mm)



dimensions of JPF-A/TP

Model	A	B	C	D	F
JPF-A/TP 2 1/2"	9 1/2 (240)	7 1/2 (185)	16 (405)	6 1/2 (159)	3/4 (19)
JPF-A/TP 3"	12 3/4 (320)	9 1/4 (232)	18 3/4 (475)	6 3/4 (166)	3/4 (19)
JPF-A/TP 4"	12 3/4 (320)	9 1/4 (232)	19 1/4 (485)	7 (176)	3/4 (19)

All dimensions in Inches (mm)

A = Installation length
B = Unit width
C = Height above pipe centre
D = Height below pipe centre



SPECIFICATION

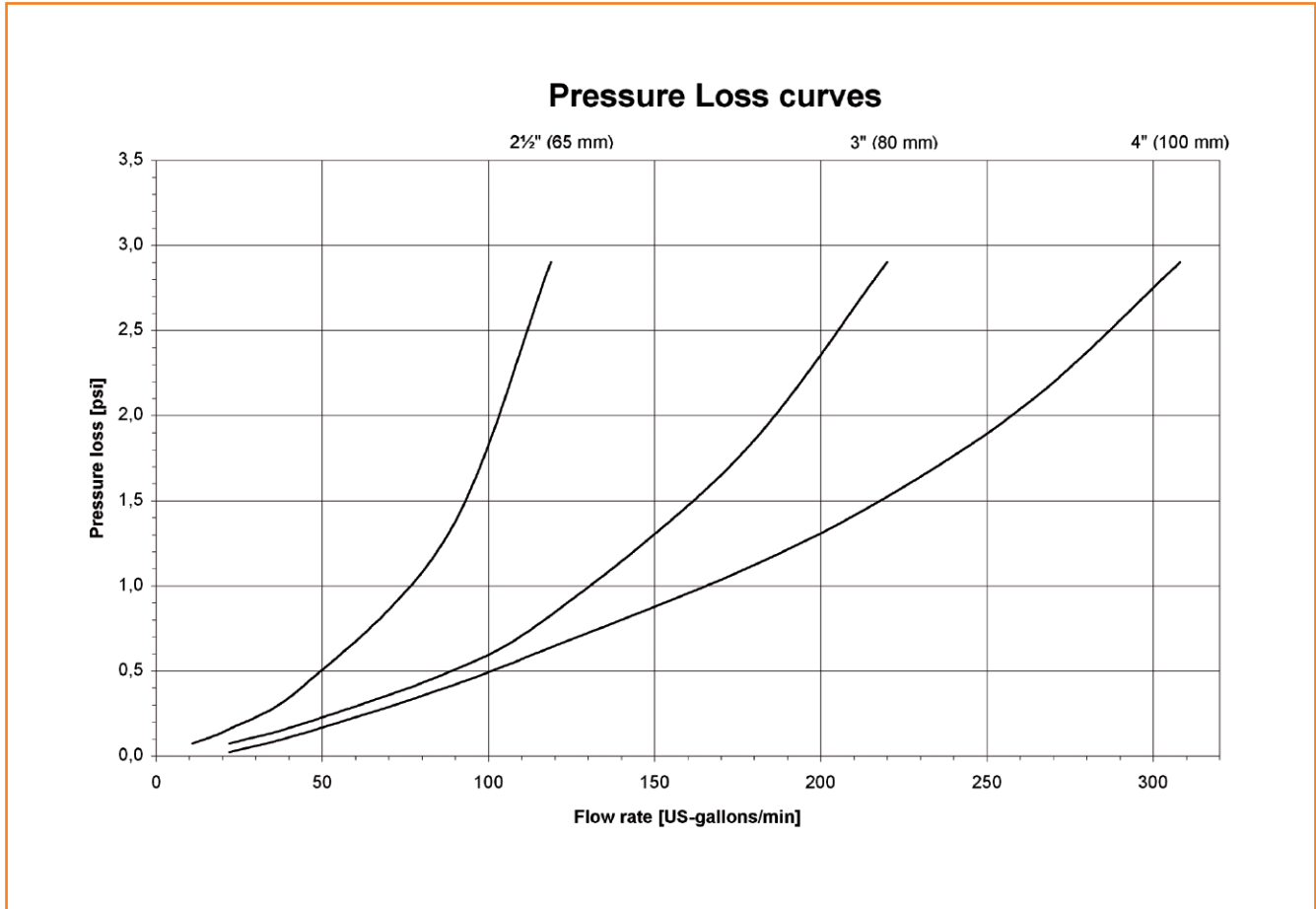
Self Cleaning Back-Washable Water Filters / Strainers
For Cold Water Applications:
2½" (65 mm) - 3" (80 mm) - 4" (100 mm)

JUDO Water Treatment Inc.
Toronto, Ontario, Canada
Tel: 866 - 451 - 5836 (toll-free)
Fax: 877 - 761 - 3335 (toll-free)
e-mail: info@judo-online.com
judo-online.com

JUDO Wasseraufbereitung GmbH
Postfach 380
D-71351 Winnenden
Tel: 01149 - 7195 - 692 - 212
Fax: 01149 - 7195 - 692 - 110

JUDO quality
management

We are certified according
ISO 9001:2000



pressure loss curves of JPF

SIZE	FLOW RATE		PRESSURE LOSS	MAX. FLOW PRESSURE		MAX. TEMPERATURE		STANDARD 1 SIEVE SIZE		WEIGHT	ORDER No. manual	ORDER No. automatic	ORDER No. automatic
	gpm	m³/h		psi	kPa	°F	°C	mm	Inch				
2½" (65 mm)	118	27	2.9	150	1034	97	36	0.1	0.004	21	8010132	8025031	8025029
3" (80 mm)	220	50	2.9	150	1034	97	36	0.1	0.004	33	8010117	8025032	8020210
4" (100 mm)	308	70	2.9	150	1034	97	36	0.1	0.004	35	8010139	8025033	8020211

1. FILTER SIEVES ALSO AVAILABLE IN SIZES 0.03 / 0.32 / 0.5 mm
N.B. UNLESS OPTIONAL SIEVE SIZE IS INDICATED WHEN ORDERING, THE STANDARD SIEVE SIZE WILL BE SUPPLIED.

Backwash volume: approx. 8 gpm (0.5 l/s) @ 50 - 65 psi pressure
Backwash duration: approx. 2 minutes